

RISCO 8 Zone Expander (RP432EZ8)

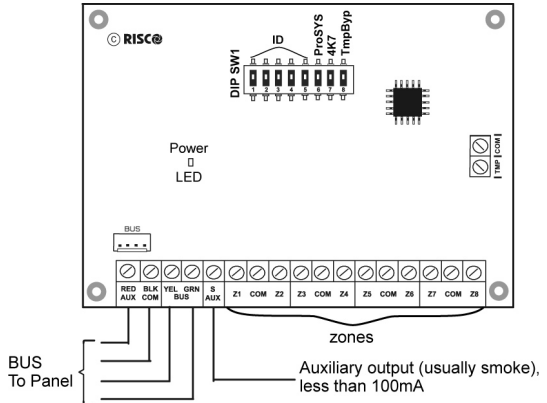
The RISCO 8 Zone Expander (RP432EZ8) enables to expand the number of wired zones in the LightSYS and ProSYS Plus.

DIP Switches Settings

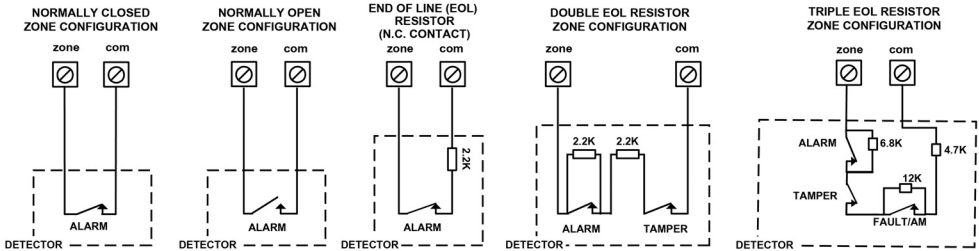
Switch 1-5	Defines the Zone Expander ID number.
Switch 6-7	Not Applicable
Switch 8: Tamper Bypass	Instead of a short between the TMP/COM terminal block

RTTE Compliance Statement:

Hereby, RISCO Group declares that this equipment is in compliance with the essential requirements and other relevant provisions of Directive 1999/5/EC. For the CE Declaration of Conformity please refer to our website: www.riscogroup.com.



Zone Termination



Note: :

The RP432EZ8 enables to define the end-of-line resistance of its zones. Selection is done through the software with the following available options. The TEOL configuration is applicable for all versions of ProSYS Plus and LightSYS Version 3 or later.

No	EOL	DEOL	No	EOL	DEOL	No	EOL	DEOL	TEOL
0		Customized	5	3.74K	6.98K	10	3.3K	3.3K	
1	2.2K	2.2K (Dflt)	6	2.7K	2.7K	11	5.6K	5.6K	
2	4.7K	6.8K	7	4.7K	4.7K	12	2.2K	1.1K	
3	6.8K	2.2K	8	3.3K	4.7K	13	2.2K	4.7K	
4	10K	10K	9	1K	1K	14	4.7K	6.8K	12K

Technical Information

Current Consumption	20 mA typical, 29mA Maximum
Main Panel Connection	4-wire BUS, ≤300 m from Main Panel
Dimensions	10.5 cm x 6.6 cm x 1.8 cm